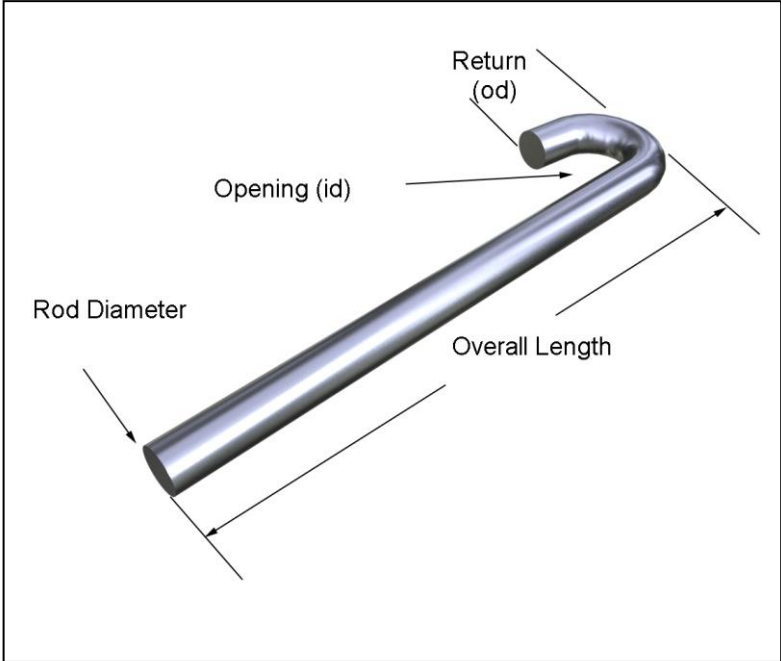


Custom J-Shape made to order



Made to Order

Rod
 Diameter: 1/4" 3/8" 1/2" 5/8" 3/4"

Rod Length overall: _____

Rod Return (od): _____

Rod Opening (id): _____

Finish: Stainless type 304 Hot Dip Galvanized
 Plain Steel

Quantity: _____

Material Specifications

Stainless Steel: Sheet metal anchors and ties:
 Rod: ASTM A 580 AISI Type 304
 (AISI Type 316 available upon request)

Hotdip Galvanized: ASTM A 153 Class B-2:
 (1.50 oz/ ft²)(0.46kg/m²)

Plain Carbon Steel:
 Wire: ASTM A 82/A82M Tensile Strengths
 80,000 psi Yield Point 70,000 psi