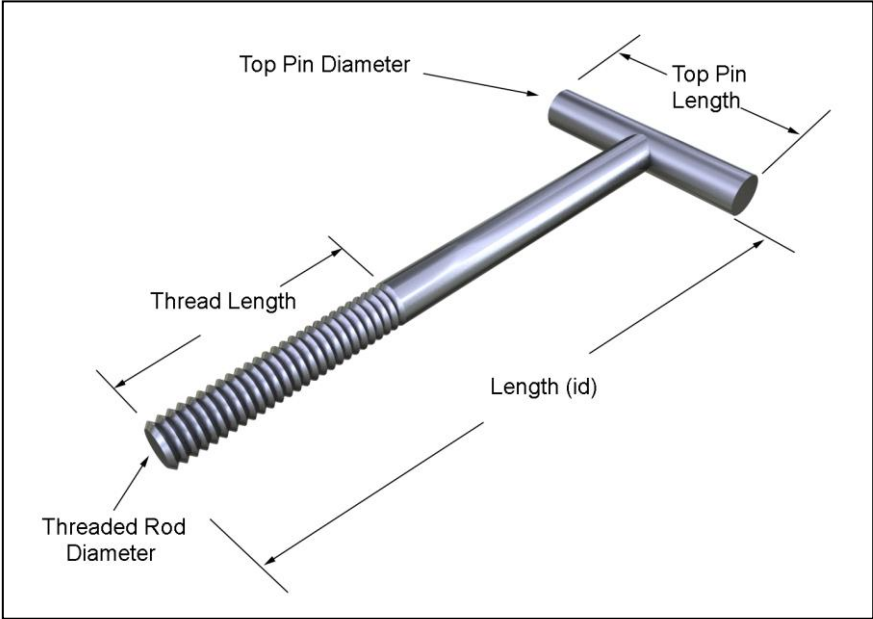


Threaded T-Bolt anchor
 made to order



Made to Order

Threaded Rod Diameter: 1/4" 3/8" 1/2"
 5/8" 3/4"

Overall Threaded Rod Length (id): _____

Top Pin Diameter: 1/4" 3/8" 1/2" 5/8" 3/4"

Top Pin Length _____

Thread Length _____

Finish: Stainless type 304 Hot Dip Galvanized
 Plain Steel

Quantity: _____

Material Specifications

Stainless Steel: Sheet metal anchors and ties:
 Rod: ASTM A 580 AISI Type 304
 (AISI Type 316 available upon request)

Hotdip Galvanized: ASTM A 153 Class B-2:
 (1.50 oz/ ft²)(0.46kg/m²)

Plain Carbon Steel:
 Wire: ASTM A 82/A82M Tensile Strengths
 80,000 psi Yield Point 70,000 psi