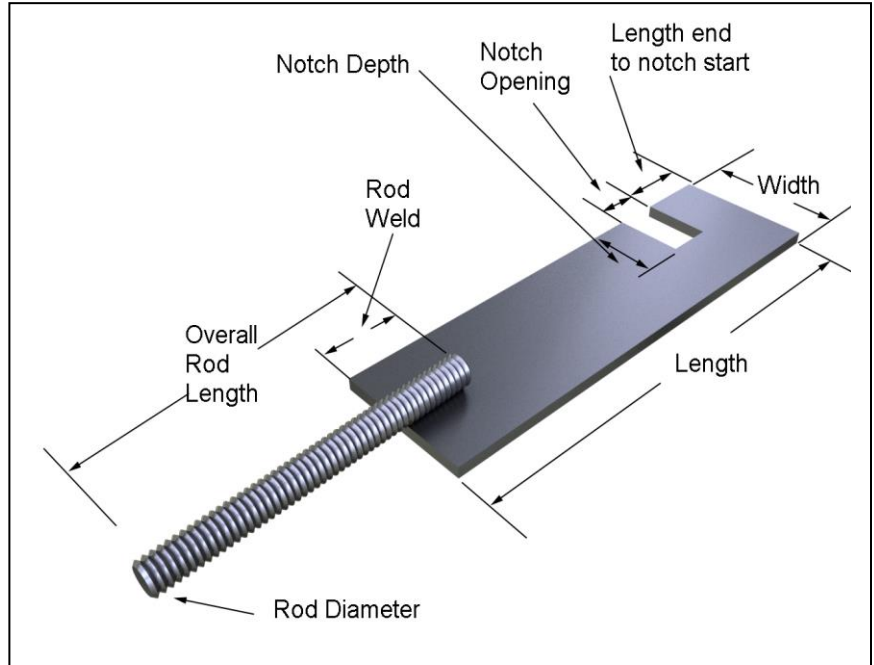


Notched Strap Bolt – Hooked onto a structural beam flange. Made to Order.



Made to Order Anchor

Thickness: 3/8" □ 1/4" □ 3/16" □ 1/8"
 □ 12 gage □ 14 gage □ 16 gage

Width: _____ Length: _____

Notch Opening: _____ Notch Depth: _____

Length from end to start of notch: _____

Finish: □ Stainless type 304 □ Hot Dip Galvanized
 □ Mill Galvanized □ Plain Steel

Threaded Rod

Diameter: □ 1/4" □ 3/8" □ 1/2" □ 5/8" □ 3/4"

Overall Rod Length: _____

Rod Weld to Anchor: _____

Quantity: _____

Material Specifications

Stainless Steel: Sheet metal anchors and ties: ASTM A 167, ASTM A 666, ASTM A 240/A240M AISI Type 304.

Wire ties and anchors: ASTM A 580 AISI Type 304

(AISI Type 316 available upon request)

Hotdip Galvanized: ASTM A 153 Class B-2: (1.50 oz/ ft²).(0.46kg/m²)

Mill Galvanized: Sheet metal anchors and ties: ASTM A 653 G60

Wire: ASTM A 641 (0.1 oz/ ft².)

Plain Carbon Steel: ASTM A1008/A1008M Structural Steel ASTM A36/A36M-08

Wire: ASTM A 82/A82M Tensile Strengths 80,000 psi Yield Point 70,000 psi