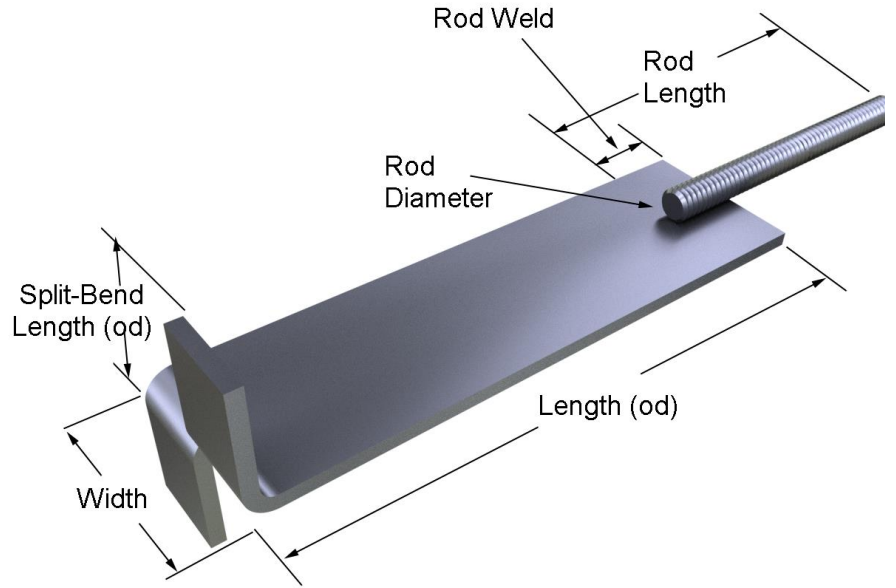


Made To Order



Made to Order

Anchor

Thickness: 3/8" 1/4" 3/16" 1/8"
 12 gage 14 gage 16 gage

Width: _____ Length (od): _____

Split-Bend Length (od): _____

Finish: Stainless type 304 Hot Dip Galv Plain Steel

Threaded Rod

Diameter: 1/4" 3/8" 1/2" 5/8" 3/4"

Overall Rod Length: _____

Rod Weld to Anchor: _____

Quantity: _____

Material Specifications

Stainless Steel: Sheet metal anchors and ties: ASTM A 167, ASTM A 666, ASTM A 240/A240M AISI Type 304.

Wire ties and anchors: ASTM A 580 AISI Type 304

(AISI Type 316 available upon request)

Hotdip Galvanized: ASTM A 153 Class B-2: (1.50 oz/ ft²)(0.46kg/m²)

Plain Carbon Steel: ASTM A1008/A1008M Structural Steel ASTM A36/A36M-08

Wire: ASTM A 82/A82M Tensile Strengths 80,000 psi Yield Point 70,000 psi