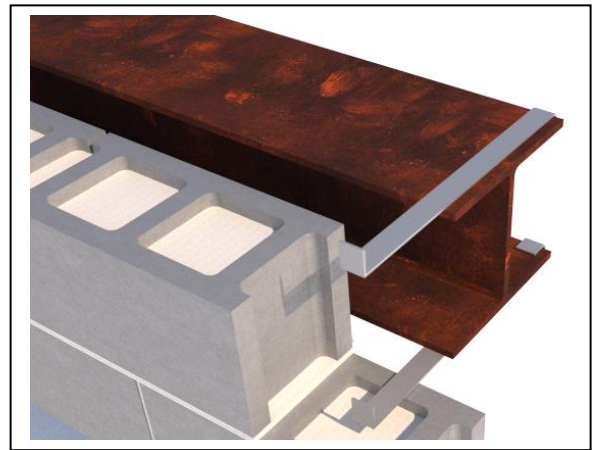
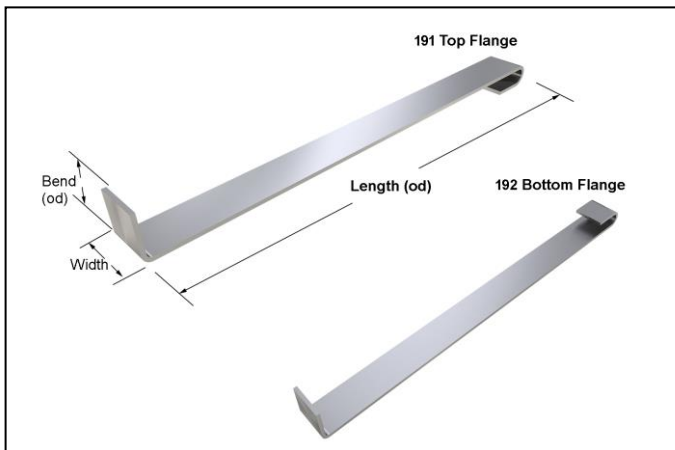


Used to tie CMU wall to a structural horizontal beam with the flanges parallel to the CMU wall as shown in the detail.

If there is an airspace between the column and the wall then the two straps should be welded or bolted to the column to prevent movement from compression. Optional holes available for bolting to column. Please note the flange must be level with the CMU joint.



- #191 Top Flange #192 Bottom Flange

Standards:

- Standard: Thickness: 1/8" Width: 1-1/4" Bend 1-1/2"
 Length: 10" 12" 14"

Special

- Finish: Stainless type 304 Hot Dip Galvanized
 Mill Galvanized

Specials:

Thickness: 1/8" 12 gage 14 gage

Length (od): _____ Width: _____

Bend Length (od) _____

- Finish: Stainless type 304 Hot Dip Galvanized
 Mill Galvanized Zinc Alloy 710

Quantity: _____

Material Specifications

Stainless Steel: Sheet metal anchors and ties: ASTM A 167, ASTM A 666, ASTM A 240/A240M AISI Type 304.

Wire ties and anchors: ASTM A 580 AISI Type 304

(AISI Type 316 available upon request)

Hotdip Galvanized: ASTM A 153 Class B-2: (1.50 oz/ ft²).(0.46kg/m²)

Mill Galvanized: Sheet metal anchors and ties: ASTM A 653 G60

Wire: ASTM A 641 (0.1 oz/ ft².)

Plain Carbon Steel: ASTM A1008/A1008M Structural Steel ASTM A36/A36M-08

Wire: ASTM A 82/A82M Tensile Strengths 80,000 psi Yield Point 70,000 psi

Firewall Anchors: Rolled Strip Zinc Alloy 710. (Firewall alloy 1/8" and 16 gage only)