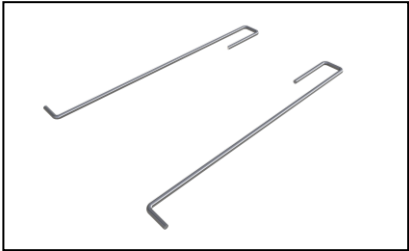
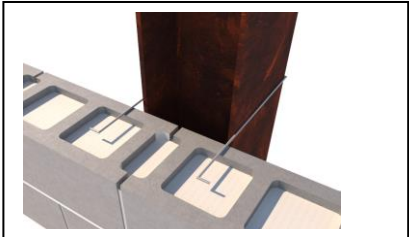
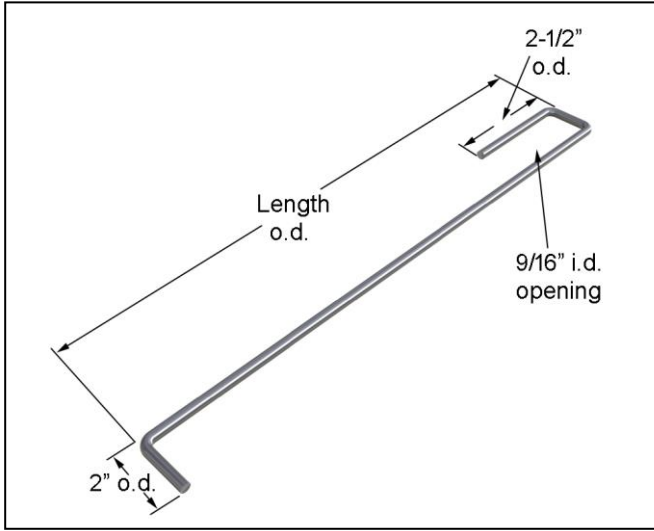


Submittal Sheet
#217 Wire-Type Column Anchors

Used to tie masonry walls to steel columns with the column flanges perpendicular to the wall. Installed in pairs. For compression loads the anchor must be welded to the column flange.

Lengths are measured from the inside of the hook to the masonry bend.



Standard **Special**

Standards:

Diameter: 3/16" 1/4"

Length (od): 10" 12" 14" 16"

Finish: Hot Dip Galvanized Mill Galvanized

Specials:

Thickness: 1/4" 3/16" Length: _____

Finish: Stainless type 304 Hot Dip Galvanized
 Mill Galvanized

Quantity (pcs): _____

Material Specifications

Stainless Steel: Sheet metal anchors and ties: ASTM A 167, ASTM A 666, ASTM A 240/A240M AISI Type 304.
 Wire ties and anchors: ASTM A 580 AISI Type 304
 (AISI Type 316 available upon request)

Hotdip Galvanized: ASTM A 153 Class B-2: (1.50 oz/ ft²).(0.46kg/m²)

Mill Galvanized: Sheet metal anchors and ties: ASTM A 653 G60
 Wire: ASTM A 641 (0.1 oz/ ft².)

Plain Carbon Steel: ASTM A1008/A1008M Structural Steel ASTM A36/A36M-08
 Wire: ASTM A 82/A82M Tensile Strengths 80,000 psi Yield Point 70,000 psi