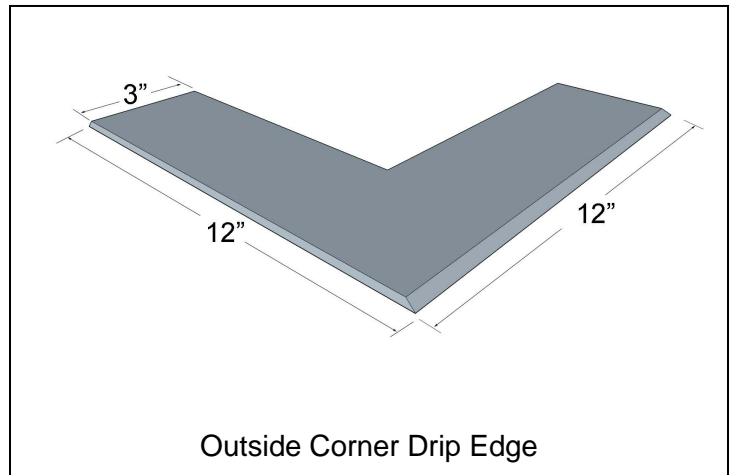
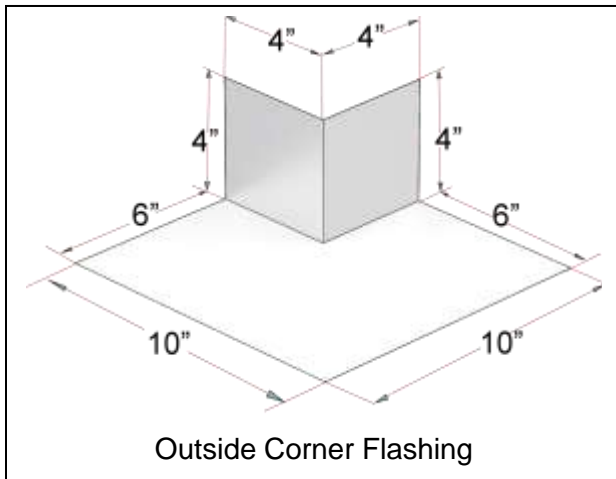


Submittal Sheet

#237 Outside Corner Flashing

Place Prefabricated Outside Corner Flashing against the building and solder continuous flashing or seal with a continuous bead of sealant.



Stainless - 26 gauge Copper - 16 oz (24 gauge)

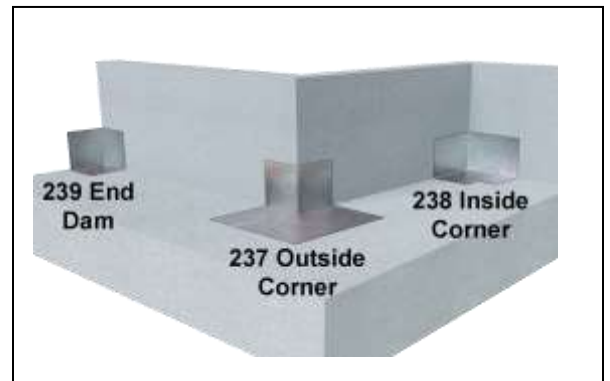
237-S 10" x 10" x 4" Stainless Steel Corner

237-C 10" x 10" x 4" Copper Corner

2372-S 12" x 12" x 3" Stainless Drip Edge

2372-C 12" x 12" x 3" Copper Drip Edge

_____ Quantity in Pcs.



Material Specifications

Stainless Steel: Sheet metal:
 ASTM A 167, ASTM A 666, ASTM A 240/A240M AISI Type 304.

Copper: Sheet metal: ASTM B 152