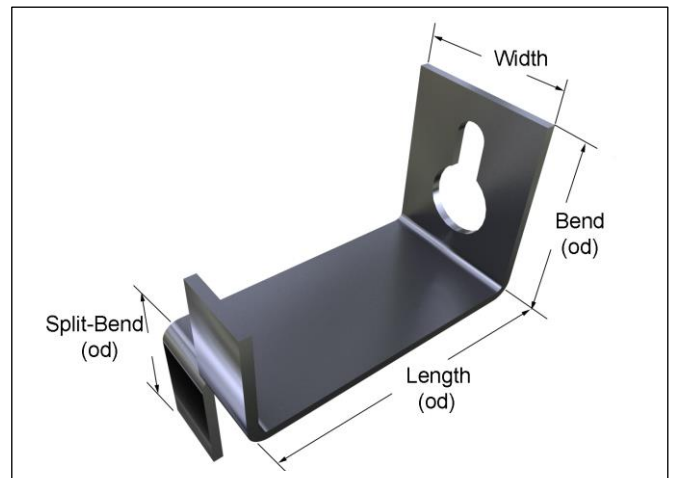
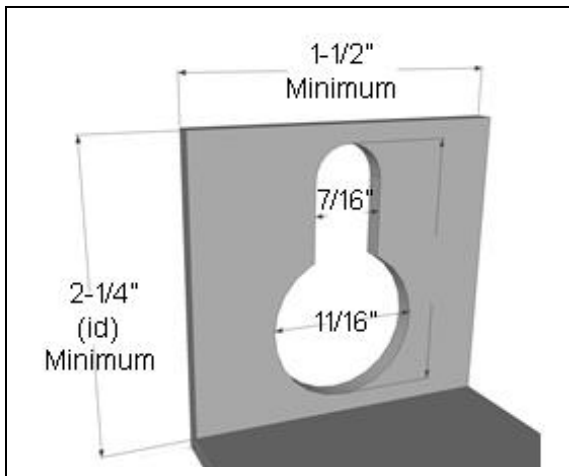
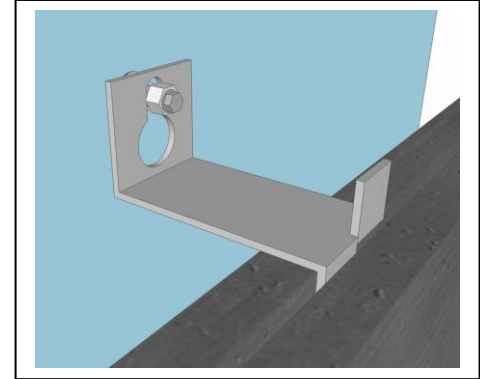


Submittal Sheet
#274-KB Keybolt Split-Bend Anchor

MADE TO ORDER

Used to anchor stone with the Heckmann #75-KB Pos-I-Tie® Keybolt Anchoring System. The Keybolt Barrel Screw installs through insulation into the backup and the hole is sealed with a tightened nut and washer. The anchor is installed between the two nuts and aligned with the stone. The outer nut is tightened to secure the anchor.



Specials:

Thickness: 1/4" 3/16" 1/8" 12 gage 14 gage

Length (od): _____

Width (minimum 1-1/2"): _____

Keyslot Bend Length (od) _____ (minimum 2-1/4")

Split Bend: (od) _____

Finish: Stainless Type 304

Quantity: _____

Material Specifications

Stainless Steel: Sheet metal anchors and ties: ASTM A 167, ASTM A 666, ASTM A 240/A240M AISI Type 304.

Wire ties and anchors: ASTM A 580 AISI Type 304

(AISI Type 316 available upon request)