

Submittal Sheet
#274 Screw-On Split-Bend Anchor

MADE TO ORDER

Thickness: 3/8", 1/4", 3/16", 1/8", 11 gage, 12 gage, & 14 gage.

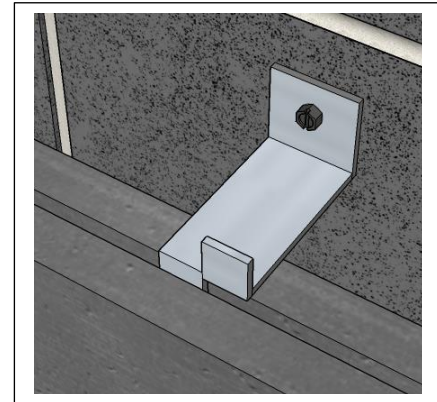
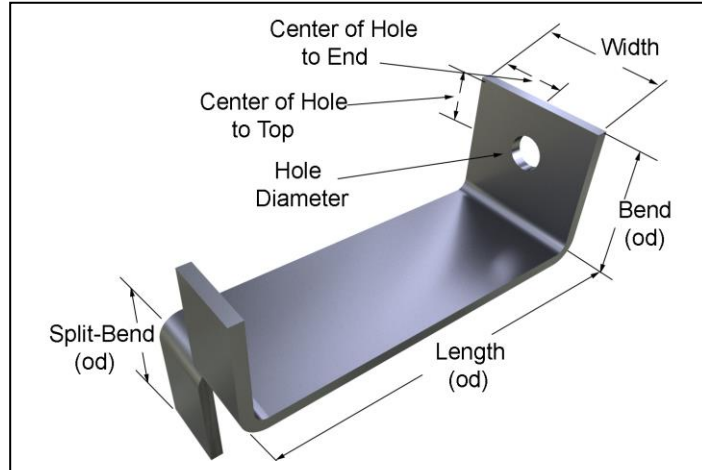
Strap Width: 1-1/4" minimum recommended. Minimum width for 1/4" thick is 2" wide.

Length: Specify length as the outside dimensions between the bends.

Bend with Hole: 1" minimum recommended. You should consider the overall length of the anchor and the height of the split bend to make sure there is enough room for the installer to get the screw and tool in place without interference from the split bend. Hole should be a minimum of 1/16" larger than your screw size. (3/8" screw will use a 7/16" diameter hole).

Split Bend: Minimum 3/4" recommended (specify as o.d. dimension)

Available in Stainless Steel, Hotdip Galvanized After Fabrication, and Mill Galvanized (for interior applications) *Stainless Steel recommended for any exterior stone application.*



Specials:

Thickness: 3/8" 1/4" 3/16" 1/8"
 12 gage 14 gage

Length (od): _____ Width: _____

Bend (od) _____ Split-Bend (od): _____

Hole diameter: _____

Center of Hole to End: _____

Center of Hole to Top: _____

Finish: Stainless type 304 Hot Dip Galvanized
 Mill Galvanized Zinc Alloy 710

Quantity: _____

Material Specifications

Stainless Steel: Sheet metal anchors and ties: ASTM A 167, ASTM A 666, ASTM A 240/A240M AISI Type 304.

Wire ties and anchors: ASTM A 580 AISI Type 304
(AISI Type 316 available upon request) **Hotdip**

Galvanized: ASTM A 153 Class B-2:
(1.50 oz/ ft²).(0.46kg/m²)

Mill Galvanized: Sheet metal anchors and ties: ASTM A 653 G60

Plain Carbon Steel: ASTM A1008/A1008M
Structural Steel ASTM A36/A36M-08

Wire: ASTM A 82/A82M Tensile Strengths
80,000 psi Yield Point 70,000 psi

Firewall Anchors: Rolled Strip Zinc Alloy 710.
(Firewall alloy 1/8" and 16 gage only)