

Submittal Sheet
#275 Bent-Type Screw-On Anchor
Available as 275-U or 275-Z

MADE TO ORDER

Thickness: 3/8", 1/4", 3/16", 1/8", 11 gage, 12 gage, & 14 gage.

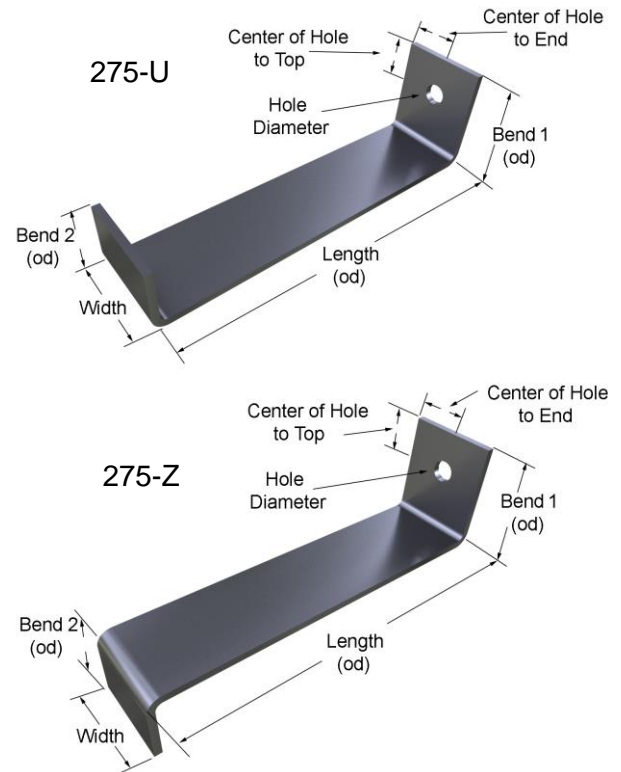
Strap Width: 1-1/4" minimum recommended.

Length: Specify length as the outside dimensions between the bends.

Bend with Hole: 1" minimum recommended. You should consider the overall length of the anchor and the height of the bend to make sure there is enough room for the installer to get the screw and tool in place without interference from the U-Bend. Hole should be minimum of 1/16" larger than your screw size. (3/8" screw will use a 7/16" diameter hole).

Bend Length: Minimum 3/4" recommended (specify as o.d. dimension)

Available in Stainless Steel, Hotdip Galvanized After Fabrication, or Plain Steel. Stainless Steel recommended for any exterior stone application.



Specials: #275-Z #275-U

Thickness: 3/8" 1/4" 3/16" 1/8"
 12 gage 14 gage

Width: _____ Length (od) : _____

Bend 1 (od): _____ Bend 2 (od): _____

Hole Diameter: _____

Center of Hole to End: _____

Center of Hole to Top: _____

Finish: Stainless type 304 Hot Dip Galvanized
 Mill Galvanized Zinc Alloy 710

Quantity: _____

Material Specifications

Stainless Steel: Sheet metal anchors and ties: ASTM A 167, ASTM A 666, ASTM A 240/A240M AISI Type 304.

Wire ties and anchors: ASTM A 580 AISI Type 304

(AISI Type 316 available upon request)

Hotdip Galvanized: ASTM A 153 Class B-2: (1.50 oz/ ft²).(0.46kg/m²)

Mill Galvanized: Sheet metal anchors and ties: ASTM A 653 G60

Wire: ASTM A 641 (0.1 oz/ ft².)

Plain Carbon Steel: ASTM A1008/A1008M Structural Steel ASTM A36/A36M-08

Wire: ASTM A 82/A82M Tensile Strengths 80,000 psi Yield Point 70,000 psi

Firewall Anchors: Rolled Strip Zinc Alloy 710. (Firewall alloy 1/8" and 16 gage only)