

Submittal Sheet
#278-KB Keybolt Welded Plate-Strap
Stone Anchor

MADE TO ORDER

Thickness: 1/4", 3/16", 1/8", 11 gage, 12 gage, & 16 gage.

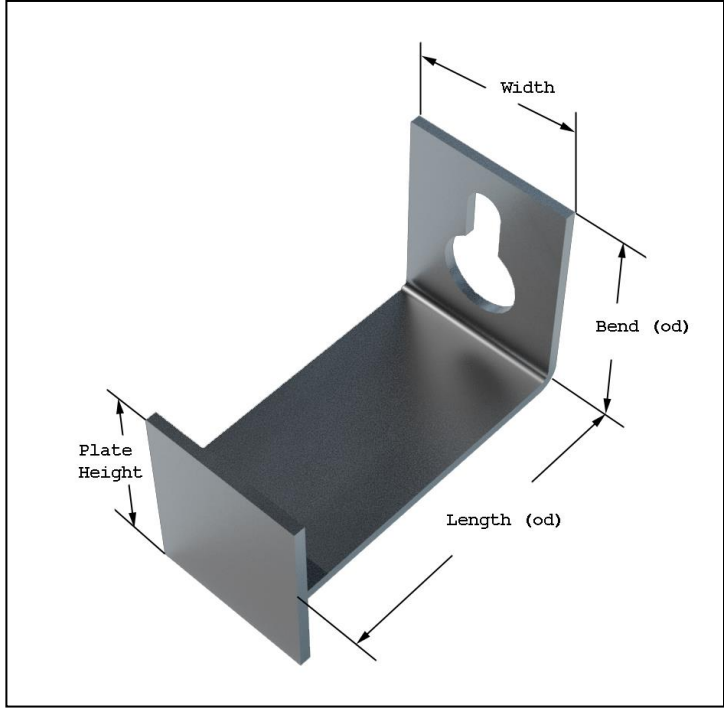
Strap Width: 1-1/2" minimum.

Length: Specify length as the outside dimensions between the bend and plate.

Bend with Keyslot: 2-1/4" minimum.

Plate: Specify plate size height. Unless noted, plate will be welded in center of height dimension.

Available in Type 304 Stainless Steel.



Specials:

Thickness: 1/4" 3/16" 1/8"
 12 gage 14 gage 16 gage

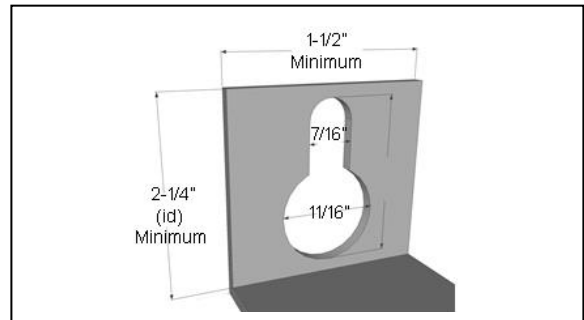
Length (od): _____ Width (1-1/2" min): _____

Bend with Keyslot (od): _____ (min 2-1/4")

Welded Plate: Height: _____

Finish: Stainless type 304

Quantity: _____



Material Specifications

Stainless Steel: Sheet metal anchors and ties: ASTM A 167, ASTM A 666, ASTM A 240/A240M AISI Type 304.

Wire ties and anchors: ASTM A 580 AISI Type 304
 (AISI Type 316 available upon request)

Hotdip Galvanized: ASTM A 153 Class B-2:
 (1.50 oz/ ft²)(0.46kg/m²)

Plain Carbon Steel: ASTM A1008/A1008M
 Structural Steel ASTM A36/A36M-08