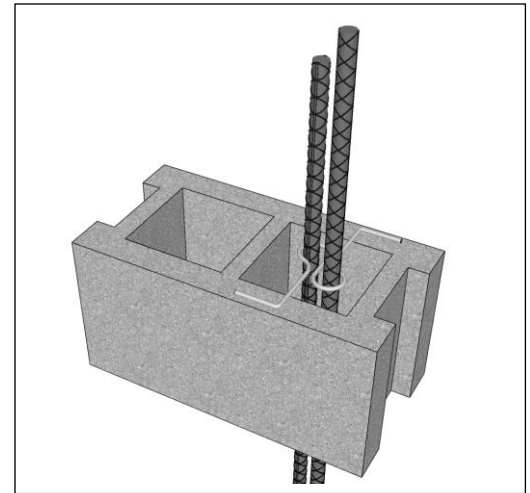
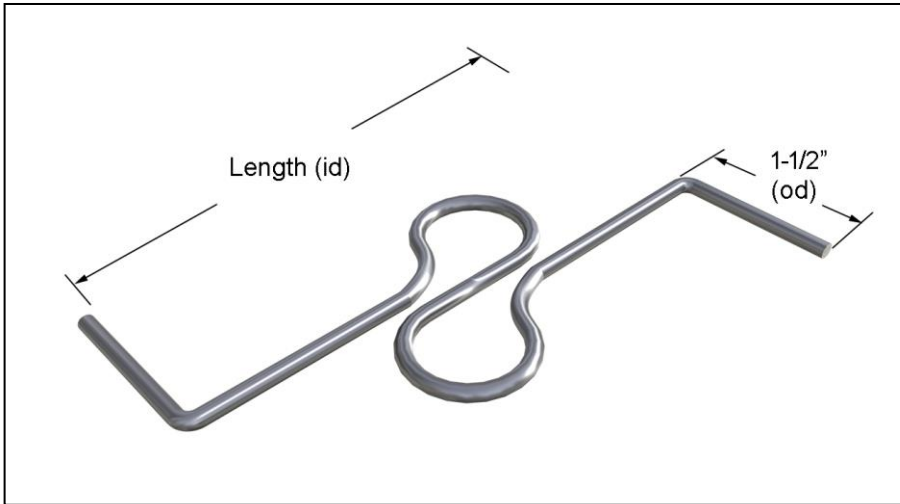


Submittal Sheet
#376 Wire Rebar Positioner

Used to center vertical rebar in CMU walls before grout is poured.



Standards:

Diameter: 9 gage

Length: 6" long for 8" block
 10" long for 12" block

Finish: Hot Dip Galvanized Mill Galvanized

Quantity: _____

Material Specifications

Hotdip Galvanized: ASTM A 153 Class B-2:
(1.50 oz/ ft²)(0.46kg/m²)

Mill Galvanized: Sheet metal anchors and
ties: ASTM A 653 G60

Wire: ASTM A 641 (0.1 oz/ ft².)

Plain Carbon Steel: ASTM A1008/A1008M
Structural Steel ASTM A36/A36M-08

Wire: ASTM A 82/A82M Tensile Strengths
80,000 psi Yield Point 70,000 psi