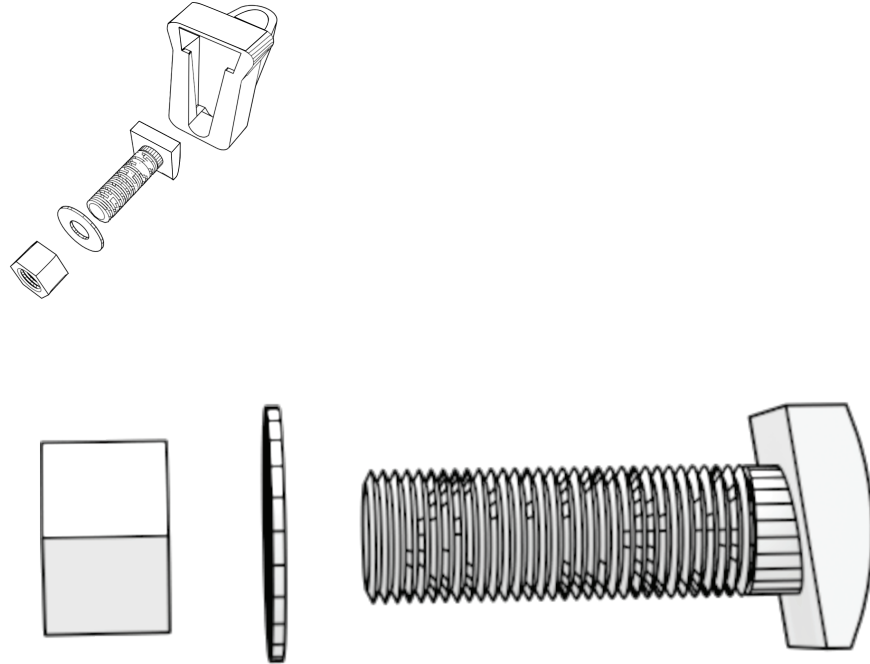




Submittal Sheet #427 Askew Head Bolts



Material Specifications

Malleable Iron Specifications:
 ASTM A47-B4 Ferritic Malleable Iron Castings Class/Grade 32510
 Min Tensile Strength psi 60,000
 Min. Yield Strength - psi 32,500
 (Elongation in tension 10%)
 Microstructure is Temper carbon and ferrite
 For additional information on Specifications of Shelf Angle Inserts Refer to the following:
 ASME B18.2.1-2010 - Askew Head Bolts - American National Standards Institute.

Load Values (ultimate loads):

Shear: 425-6H 16,750 lbs
 425-6HL 17,305 lbs
Tension: 425-6H -13,200 lbs
 425-6HL 17,367 lbs
Concrete Strength: 4,125 psi
Torque: 150 ft/lbs

Heckmann advises a safety factor of 3 be applied to the above loads.

QUANTITY: _____

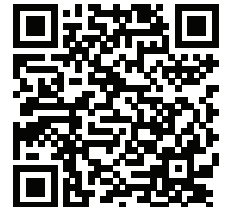
STANDARDS:

427 Askew Head Bolt -3/4" Diameter:

Length: 2" 2-1/2" 3" 4" 6"

MATERIAL TYPE:

Hot Dip Galvanized



CLICK OR SCAN FOR MATERIAL SPECIFICATIONS

PROJECT DETAILS:

LOCATION: _____

PROJECT NAME: _____

NOTES: _____

CONTACT INFO

NAME: _____

COMPANY: _____

PHONE: _____

E-MAIL: _____

Heckmann is not responsible for your choice of anchors and dimensions for your project. The choice of anchors and products should be decided by the architects or engineers knowledgeable with the project. Once a custom order has been placed it cannot be canceled or returned. Any changes to the original order may require additional charges. Your signature is required for us to proceed. By signing this order, you agree that you have reviewed the details and specifications of the custom order and that said details and specifications are per your request. Further, by signing this order you are waiving any claim against or right of non-payment for products produced to the specifications of the order.

DATE: _____

ACCEPTED BY: _____