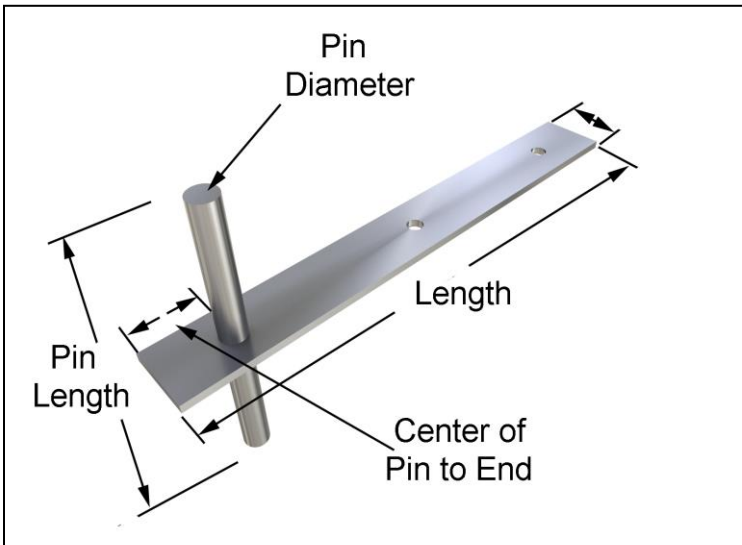


Used to anchor wood joists to a masonry wall. Pin section is grouted into the CMU wall and the strap is nailed to the floor joists. Fixed Pin is 3/8" diameter x 5" long centered 1" from end of anchor.



**Standards:**

Thickness: 1/8" Width: 1" Mill Galvanized

Center of Pin to End: 1"

Pin is 3/8" diameter x 5" and is fixed in place.

7/32" nailing holes (centered 3/4" from end and 3" o.c.)

Length:  14" – 2 holes  
 18" – 3 holes

Finish: Mill Galvanized

**For special sizes please see #150 Flat Stone Pin Anchor.**

Quantity: \_\_\_\_\_

**Material Specifications**

**Mill Galvanized:** Sheet metal anchors and ties: ASTM A 653 G60

Wire: ASTM A 641 (0.1 oz/ ft<sup>2</sup>.)