

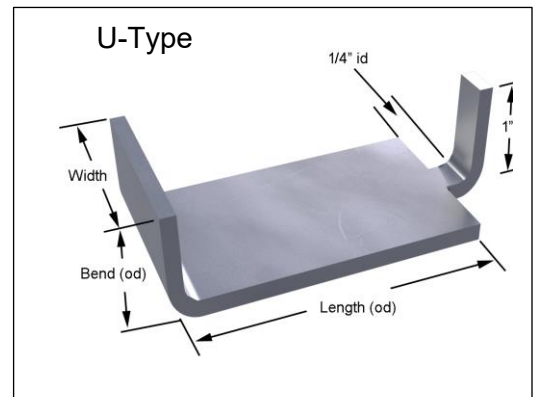
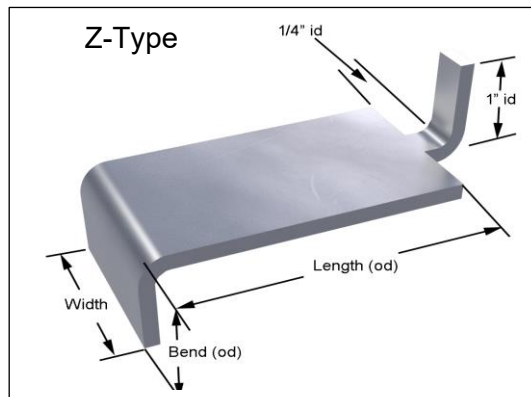
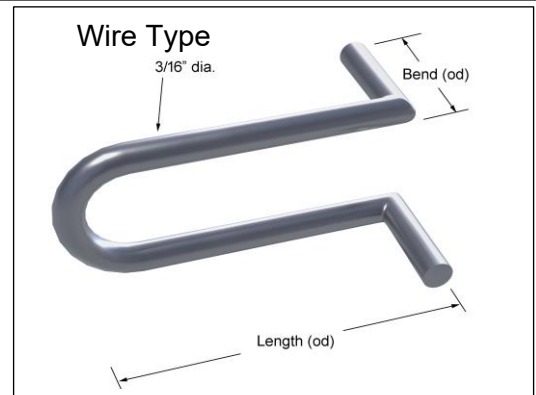
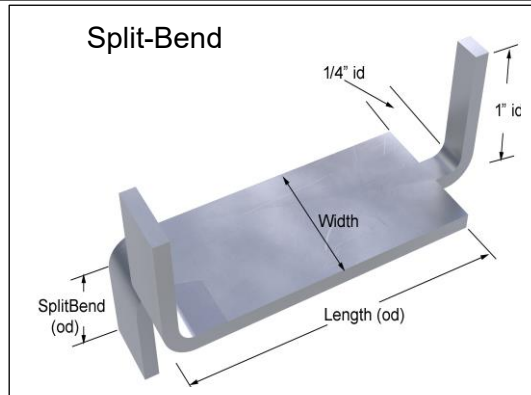
MADE TO ORDER

Anchor-Type Stone Anchors

Pos-I-Tie® stone anchors are notched to fit in the barrel of the Pos-I-Tie® screw. They are controlled by a maximum pintle of 0.30" wide x 3/16" thick x 1" deep. Specify Length, and Bend lengths. Available 1-1/4" or 1-1/2" wide only.

Wire Type Stone Anchors

3/16" Diameter wire – Specify length from barrel to end and specify bend lengths.



Finish: Stainless type 304 Hot Dip Galvanized Quantity: _____

Material Specifications

Stainless Steel: Sheet metal anchors and ties: ASTM A 167, ASTM A 666, ASTM A 240/A240M AISI Type 304.

Wire ties and anchors: ASTM A 580 AISI Type 304

(AISI Type 316 available upon request)

Hotdip Galvanized: ASTM A 153 Class B-2: (1.50 oz/ ft²)(0.46kg/m²)

Plain Carbon Steel: ASTM A1008/A1008M

Structural Steel ASTM A36/A36M-08

Wire: ASTM A 82/A82M Tensile Strengths 80,000 psi Yield Point 70,000 psi